



- ▶ Supports most major brands
 - Numonics IPM/I-Board, 62" & 77"
 - Interwrite® 1077B and Dual Board
 - SMART™ Board 580, 560, 640, 660, 680 & 690
 - Hitachi StarBoard FXDUO & FXTRIO 77" & 88"
 - Promethean Activboard 78, 95, 378, 387, 395
 - PolyVision ēno™ & TS Series
- ▶ Retain your dry erase & chalk board space
- ▶ Perfect for existing or new construction
- ▶ Used in hundreds of classrooms!
- ▶ Stationary mount system available
- ▶ Easy to install and operate

○ Track Technology Systems, Inc.
 10053 Whitney Way
 Fishers, IN 46037
 Phone: 317-841-3722
 Fax: 317-841-0155
 Toll Free: 1-800-995-3177
 info@diversitrack.com

○ Kevin Burkett
 Owner



Diversimount™

universal stationary mount solution

A UNIVERSAL "ONE FOR ALL" STATIONARY CLASSROOM MOUNTING SYSTEM FOR YOUR INTERACTIVE WHITEBOARD LIKE NO OTHER MOUNTING SYSTEM AVAILABLE!

Introducing Diversimount! Supporting the industry's top names!



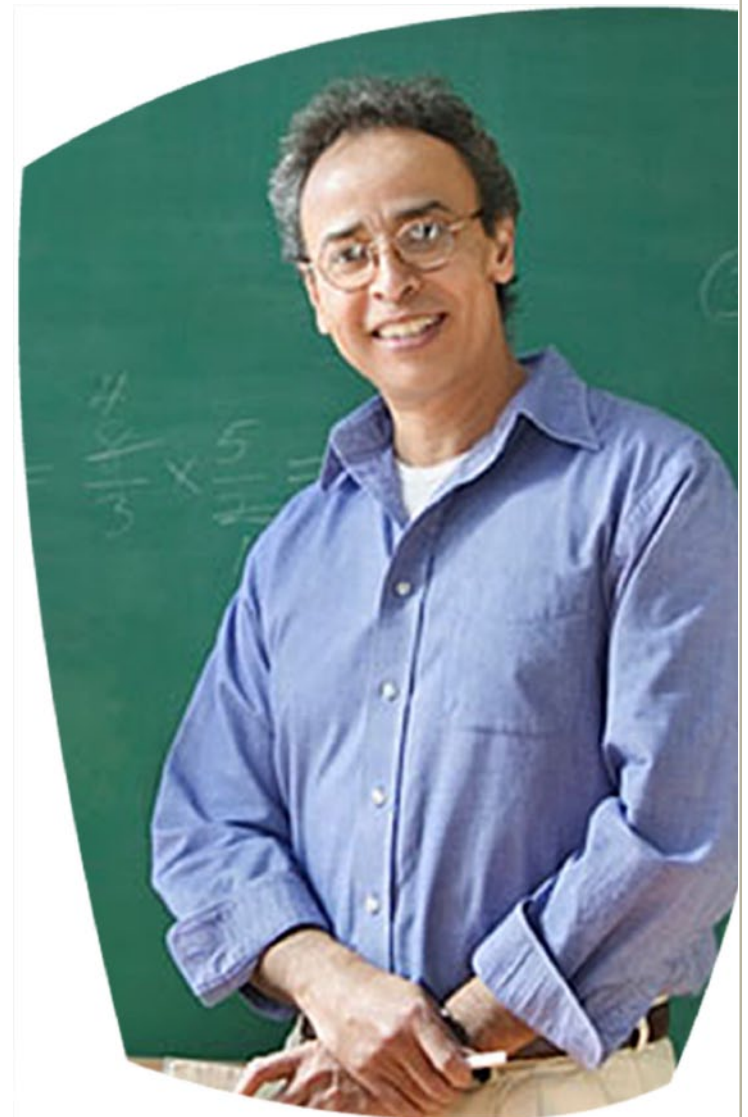
With the explosive growth of interactive whiteboard technology comes the difficult decisions schools face regarding mounting requirements. Now you have a solution... **Diversimount!**

Now you can mount your favorite interactive whiteboard in front of your existing chalk or dry erase board without damage.

Use our contact form to request a formal quote or ask a question.

The Diversimount System is secure, flexible and adjustable:

- No more drilling into your dry erase board!
- Fastens atop and below your existing chalk or dry erase board
- Clears a standard chalk tray
- 5-position vertically adjustable
- Borrows clip system from flagship system, Diversitrack
- Perfect for new or existing construction
- Professionally manufactured and finished in Oyster White neutral powder coat
- Simple to assemble and install



*Celebrating 26 Years
 Working with Education*



- ▶ Supports most major brands
 - Numonics IPM/I-Board, 62" & 77"
 - Interwrite® 1077B and Dual Board
 - SMART™ Board 580, 560, 640, 660, 680 & 690
 - Hitachi StarBoard FXDUO & FXTRIO 77" & 88"
 - Promethean Activboard 78, 95, 378, 387, 395
 - PolyVision ēno™ & TS Series
- ▶ Retain your dry erase & chalk board space
- ▶ Perfect for existing or new construction
- ▶ Used in hundreds of classrooms!
- ▶ Stationary mount system available
- ▶ Easy to install and operate

○ Track Technology Systems, Inc.
 10053 Whitney Way
 Fishers, IN 46037
 Phone: 317-841-3722
 Fax: 317-841-0155
 Toll Free: 1-800-995-3177
 info@diversitrack.com

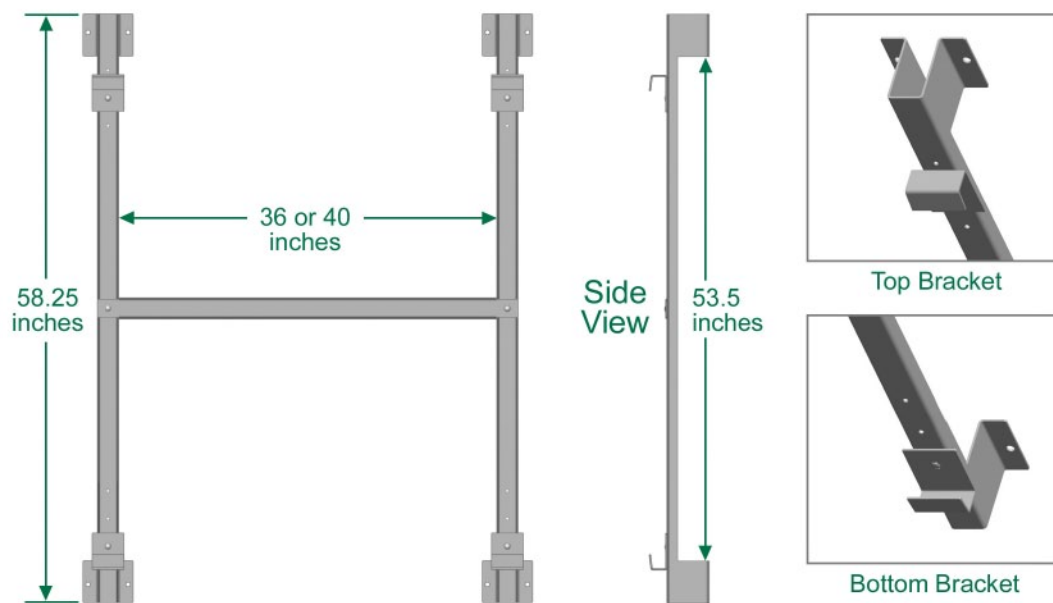
○ Kevin Burkett
 Owner

Diversimount™

universal stationary mount solution

Made in the U.S.A. Revision 012111R1

DIVERSIMOUNT SPECIFICATIONS:



Diversimount employs a unique system of two uprights with a cross member and 5 lower mounting positions with variable length slots at top truly making it a "one size fits all" solution! **Diversimount** also borrows some key design elements from our flagship track mount system, **Diversitrack**. Namely our flexible clip system that holds tight to your favorite interactive white board.

- *Professionally manufactured using a high-tech laser*
- *We use a strong grade 5052 aluminum*
- *Epoxy powder coat finish in Oyster White*
- *Height adjustable up to 5 positions*
- *Clip system holds your board firmly in place*

Track Technology Systems, Inc. accepts school purchase orders via fax or email. If you are first in need of a quote, please use the contact form to relay your desired quantity, the make, and model of interactive whiteboard(s) you have. **Track Technology Systems, Inc.** is actively seeking dealership opportunities in all states. Please call us to inquire.



*Celebrating 26 Years
 Working with Education*